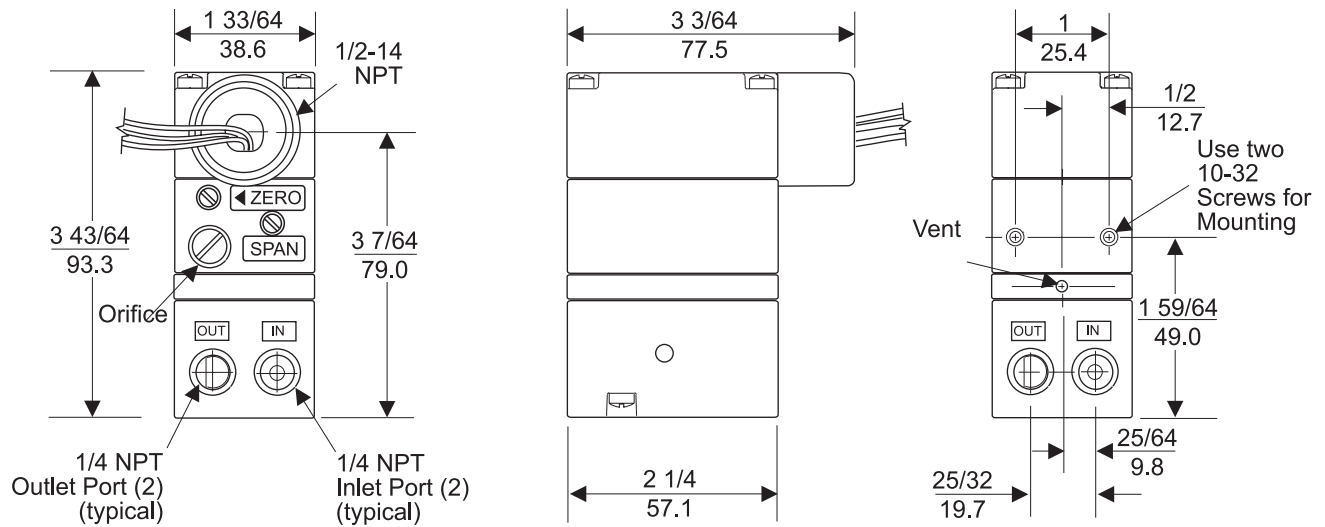


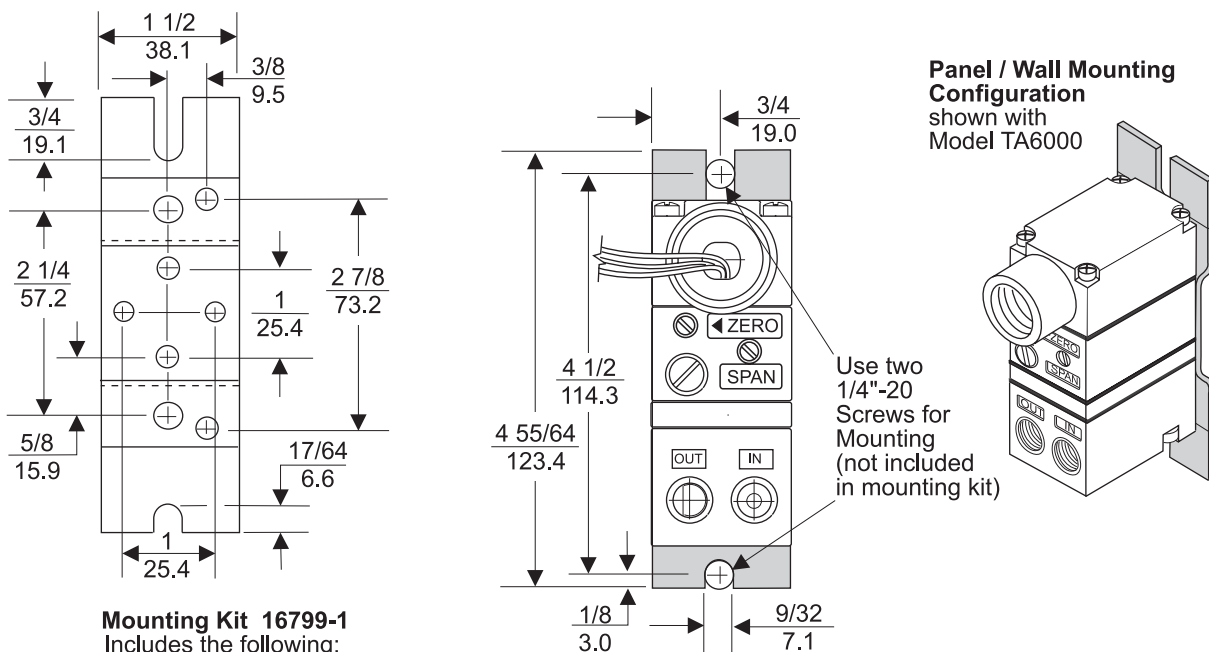
FAIRCHILD T6000 STANDARD RANGE ELECTRO-PNEUMATIC TRANSDUCER

Installation Instructions



Note: Unused IN and OUT Ports are plugged (typical)

Figure 1. TA6000 Outline Dimensions



Mounting Kit 16799-1

Includes the following:

- Two 10-32 x 5/16" Screws
- Mounting Bracket • Two 1/4" NPT Pipe Plugs
- Two 7/16" x 1/16" Thick Spacers (not used on T6000)

Figure 2. Mounting Kit 16799-1 (Included with Unit)

GENERAL INFORMATION

The Model T6000 can be mounted directly onto a flat surface using two 10-32 screws. For detailed information, see Figure 1 "TA6000 Outline Dimensions" above. The Model T6000 is supplied with a Mounting Kit 16799-1 for Panel or Wall Mounting. For detailed information, see Figure 2 above.

ATEX Directive - Special Conditions for Safe Use:

The enclosure is manufactured from aluminum alloy. In rare cases, ignition sources due to impact and friction sparks could occur. This shall be considered when the equipment is installed in locations that specifically require Group II, category 1G equipment.

LEGAL NOTICE:

The information set forth in the foregoing Installation, Operation and Maintenance Instructions shall not be modified or amended in any respect without prior written consent of Fairchild Industrial Products Company. In addition, the information set forth herein shall be furnished with each product sold incorporating Fairchild's unit as a component thereof.

Installation (continued)

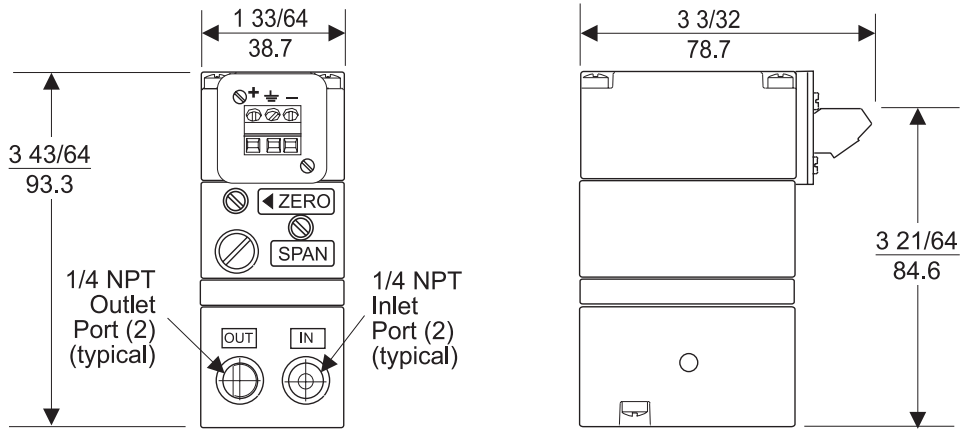


Figure 3. TT6000 Outline Dimensions

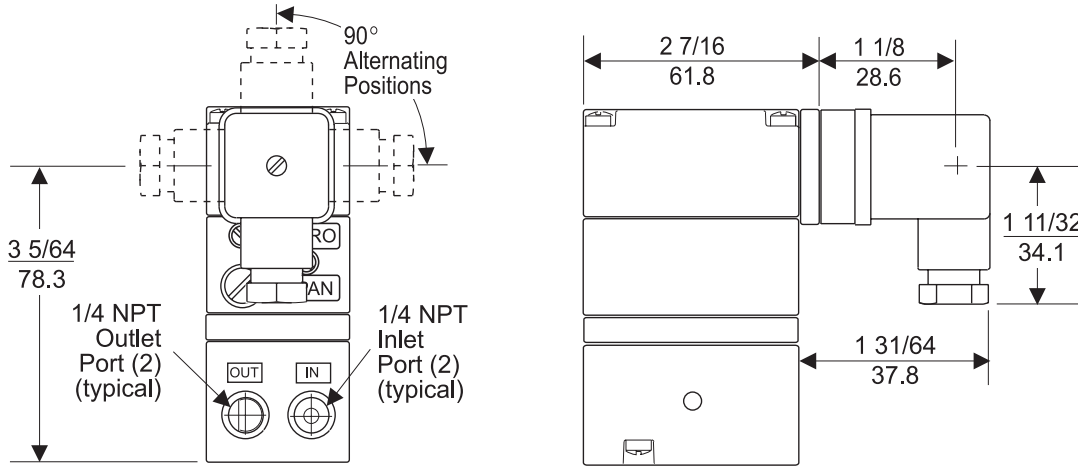


Figure 4. TD6000 Outline Dimensions

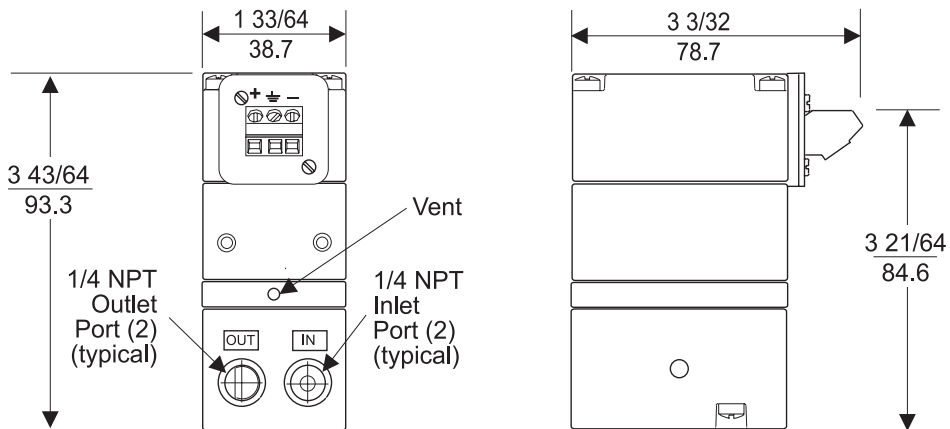


Figure 5. TR6000 Outline Dimensions

Installation (continued)

The Model T6000 is supplied with a DIN Rail Mounting Kit 16893. For detailed information, see Figure 6 below. A Mounting Kit 19254-1 is available when installing the unit on a 2" pipe. For detailed information, see Figure 7 below.

NOTE: The TR6000 Transducer is designed for use with the TR Rack Kit. Physically, it is the same as the TT6000 (Terminal Block) Unit except that the terminal block has been rotated to the rear. For detailed information, see Figure 5. "TR6000 Outline Dimensions" on page 2.

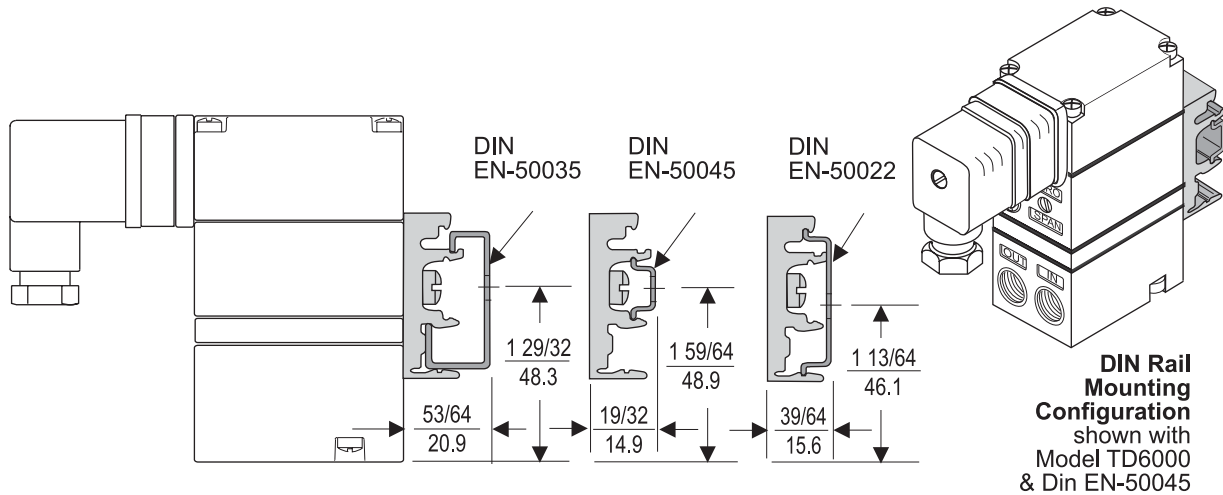
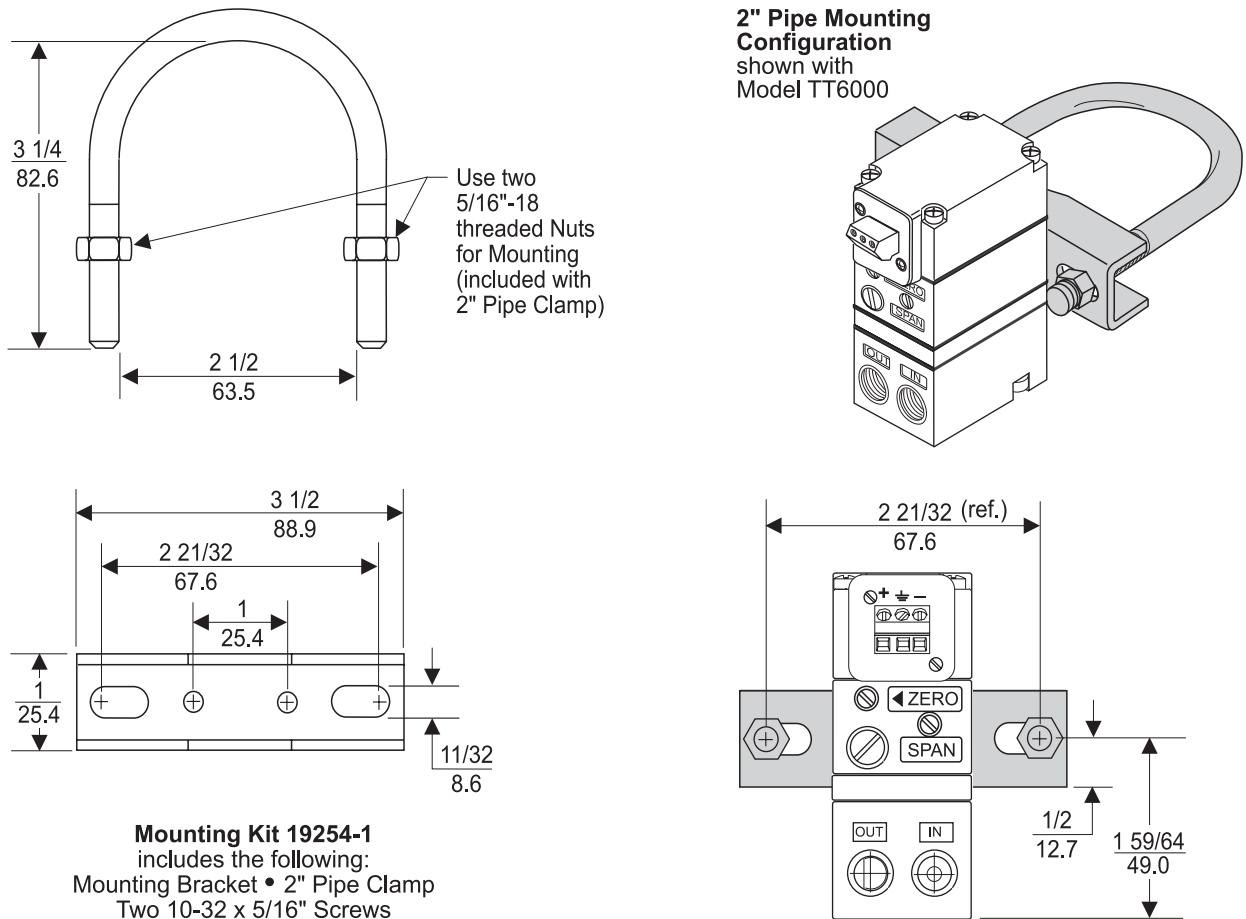


Figure 6. DIN Rail Mounting Kit 16893 (Included with Unit)



Mounting Kit 19254-1
includes the following:
Mounting Bracket • 2" Pipe Clamp
Two 10-32 x 5/16" Screws

Figure 7. Mounting Kit 19254-1 (Sold Separately)

Pneumatic Connection

Clean all pipelines to remove dirt and scale before installation. Apply a minimum amount of pipe compound to the male threads of the fitting only. **Do Not use teflon tape as a sealant.** Start with the third thread back and work away from the end of the fitting to avoid contaminating the transducer. Install the transducer in the air line. The inlet and outlet ports are labeled on the ends of the transducer. Tighten connections securely. Avoid undersized fittings that will limit the flow through the transducer and cause pressure drop down stream.

NOTE: Oil free air is required. Use a filter to remove dirt and liquid in the air line ahead of the transducer. If an air line lubricator is used, it MUST be located downstream to avoid interference with transducer performance.

The user is responsible for insuring that the environment in which the unit will be installed and the operating gas are compatible with the materials in the transducer.

Electric Connection

Make connections as shown in Figure 8.

CAUTION: Effective November 1997 (DATE CODE NE), the DIN Connector terminal connections have been changed. The ground connection has been moved from terminal #3 to the (≡) terminal. When replacing an existing unit, correct wiring on the mating connector.

Wiring in Hazardous Areas

Country	Agency	Code
U.S.	FM	ANSI/ISARP 12.6 & ANSI/NFPA 70
Canada	CSA	CEC Part 1
Europe	ATEX	EN 50 039, EN 60079-14, IEC 60079-14

Intrinsically Safe Connections

Underwriting Group	Drawing Number
FM (Factory Mutual)	EC-16984
CSA (Canadian Standards)	EC-18005
ATEX	EC-18007

Limitations/Exceptions

Type 3R - TAF, TDF upright position
TFA - CL I, Div 2 wiring per NEC ANSI/NFPA 70 for installation without wiring parameters. TDF, TTF, TRF require an enclosure.
For dry locations and voltages less than 60Vdc, TTF & TRF units must be in an enclosure.
Where loop voltages exceed 60Vdc (dry locations) or 30Vdc (potentially damp locations), the TTF and TRF versions must be installed meeting the electrical shock and fire protection requirements of ANSI/ISA S82.01.

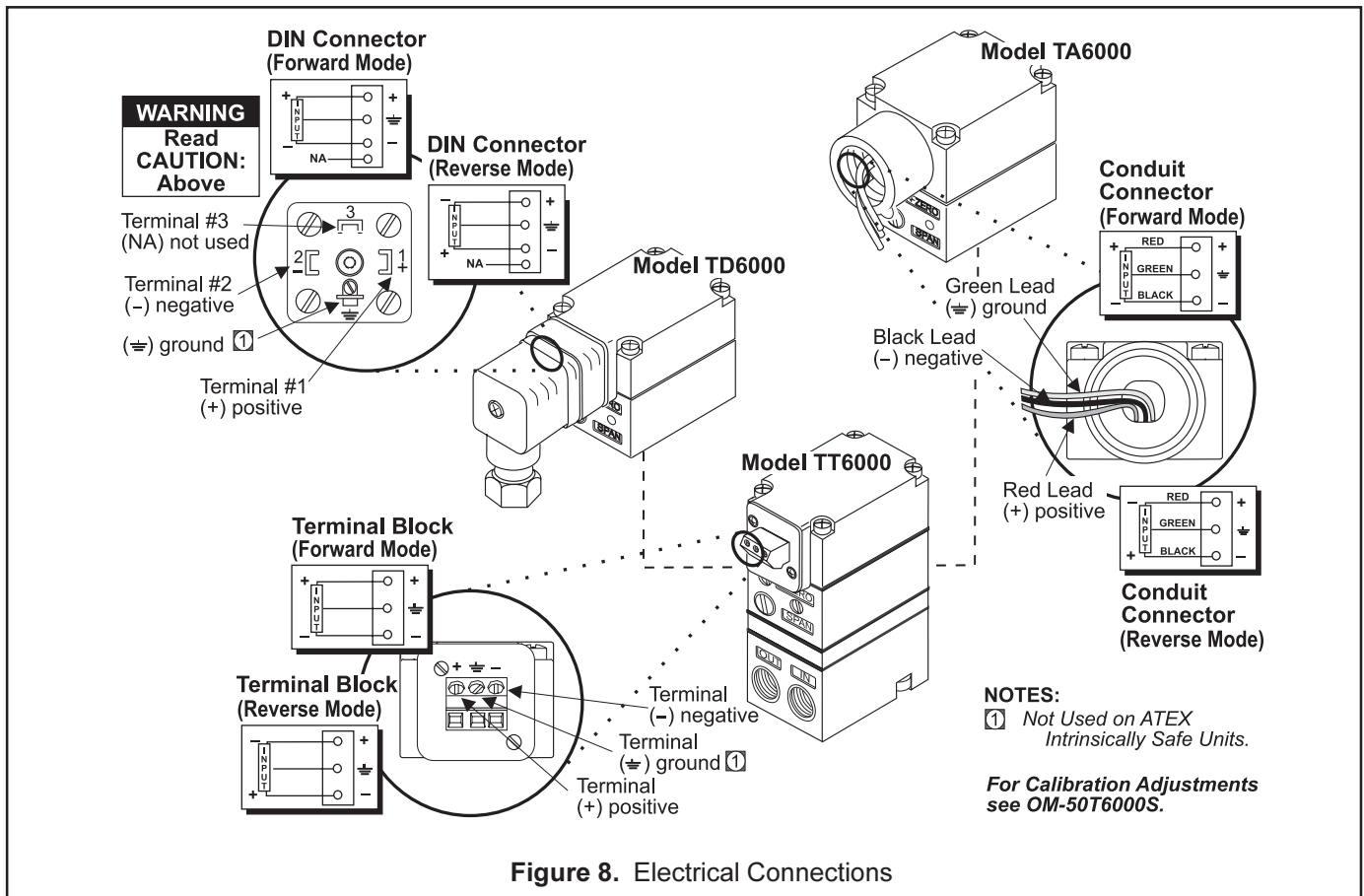


Figure 8. Electrical Connections



ISO 9001:2000
Certified

ISO 9001:2000
FM NO. 25571

Fairchild Industrial Products Company
3920 West Point Blvd. • Winston-Salem, NC 27103
phone: (336) 659-3400 • fax: (336) 659-9323
sales@fairchildproducts.com • www.fairchildproducts.com

FAIRCHILD
precision pneumatic & motion control

II-50T6000S
Litho in USA
Rev. E 08/05