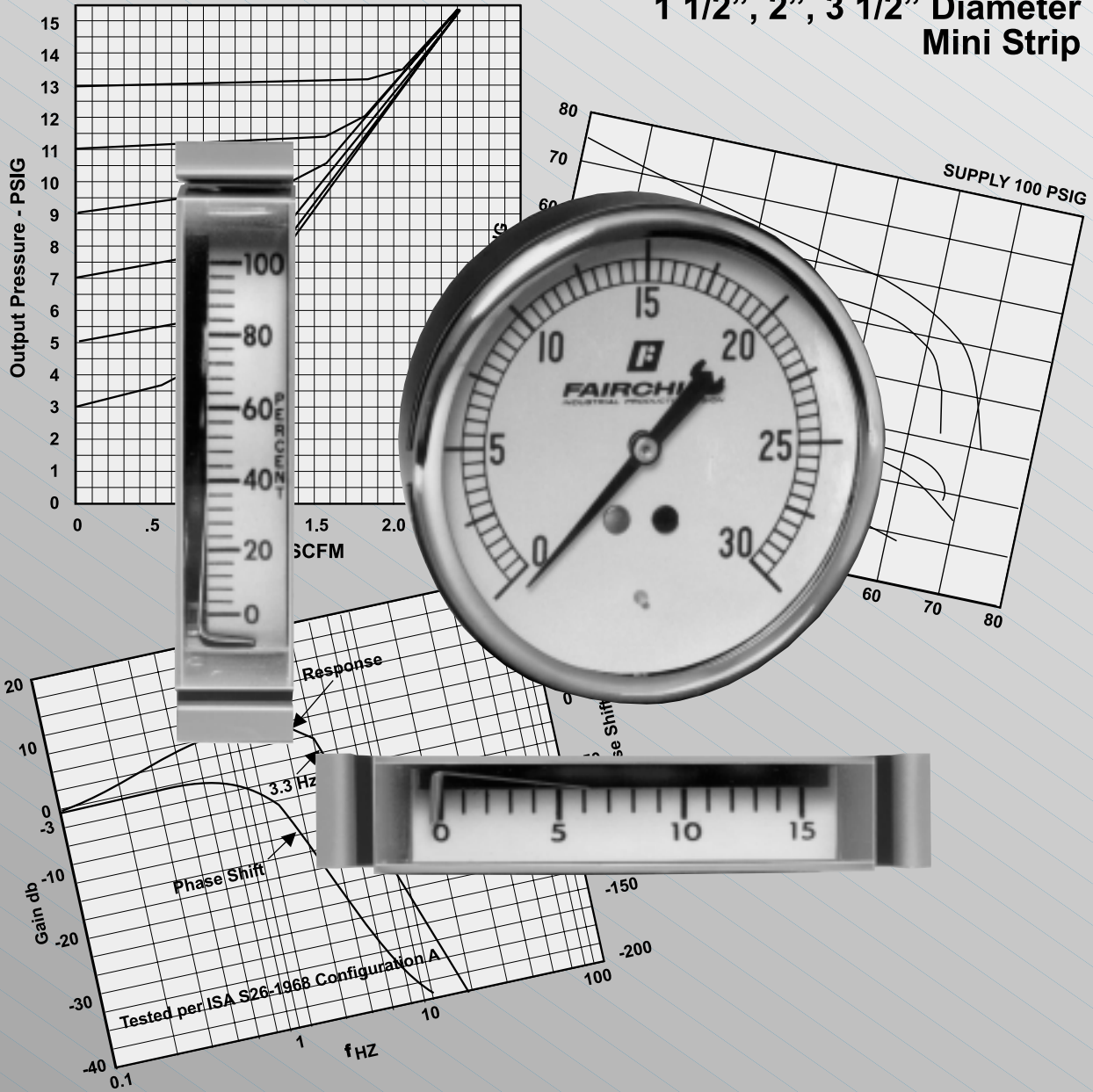


# FAIRCHILD

## PRESSURE GAGES

1 1/2", 2", 3 1/2" Diameter Mini Strip



**FAIRCHILD**  
INDUSTRIAL PRODUCTS COMPANY

## GENERAL INFORMATION

### PRESSURE GAGES

1 1/2", 2", 3 1/2" Diameter

Mini Strip

### APPLICATIONS

The Fairchild line of 1 1/2", 2", and 3 1/2" Diameter Gages are designed for general use in applications where the gas or liquid medium is compatible with the brass and brass alloy components in the gage.

Mini Strip Gages are designed for use in small panel mount applications. Both style gages include a receiver gage configuration designed for the pneumatic transmission of process variables.

### FEATURES

#### Performance

- 2% accuracy at mid scale.

#### Functional

- Round Gages are available in 7 ranges up to 400 psig.
- Mini Strip Gages are available in 4 ranges up to 100 psig.
- Receiver Gages are graduated 0 to 100% for a 3 to 15 psig transmission range.

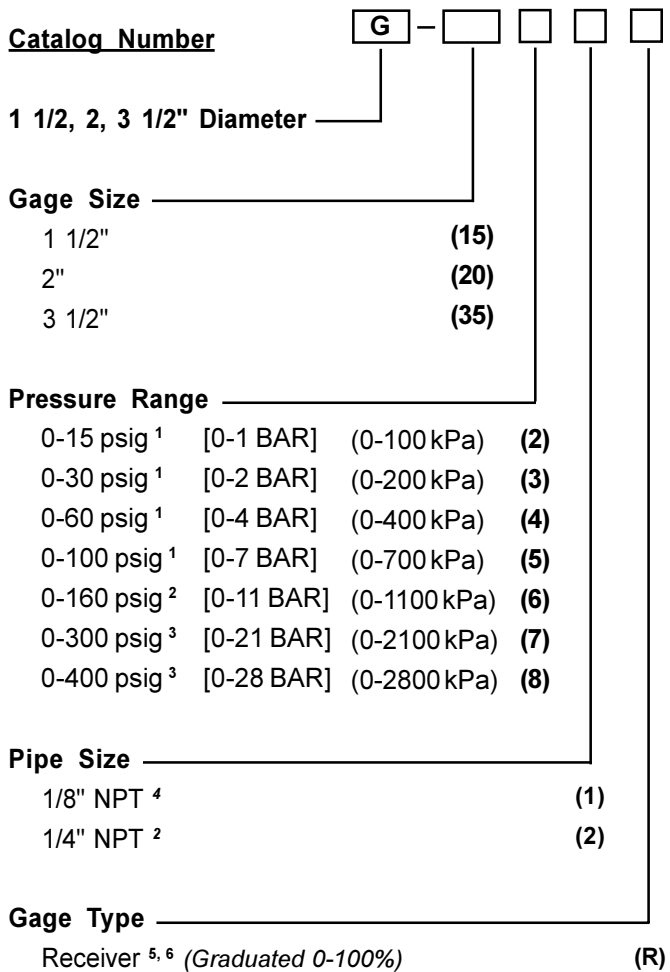
#### Physical

- 1 1/2" Gages have 1/8" NPT center back connection.
- 2" and 3 1/2" Gages have 1/4" NPT center back connection
- 1/2" Mini Strip Gages have 1/8" hose bib connection.

#### NOTE:

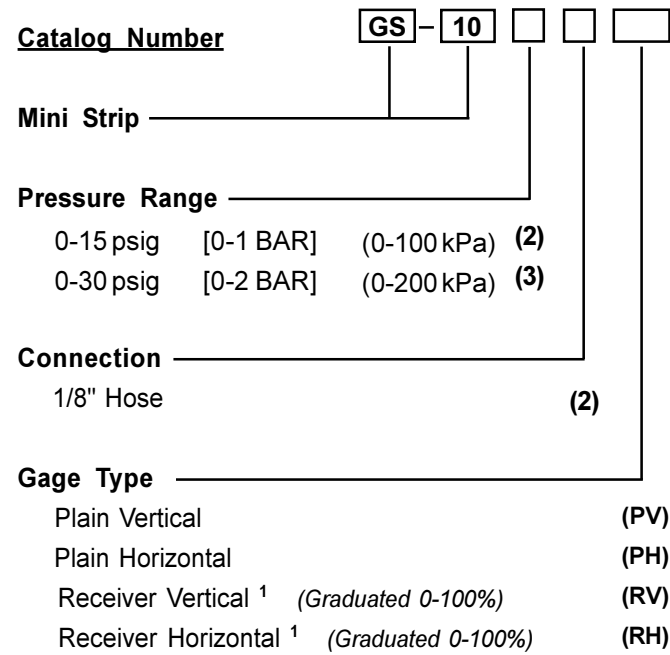
The information for this catalog sheet is being upgraded to electronic format and will be available soon. Please go to the Information Request section of this web site to order the latest printed revision.

— ORDERING INFORMATION —



<sup>1</sup> Used with 1 1/2", 2", & 3 1/2" Gages.  
<sup>2</sup> Used with 2" & 3 1/2" Gages Only.  
<sup>3</sup> Used with 2" Gage Only.  
<sup>4</sup> Used with 1 1/2" Gage Only.  
<sup>5</sup> Used with 3 1/2" Gage Only.  
<sup>6</sup> Available on 15 psig, [1.0 BAR], (100 kPa) Only.

— ORDERING INFORMATION —



<sup>1</sup> Available on 15 psig, [1.0 BAR], (100 kPa) Only.



www.fairchildproducts.com